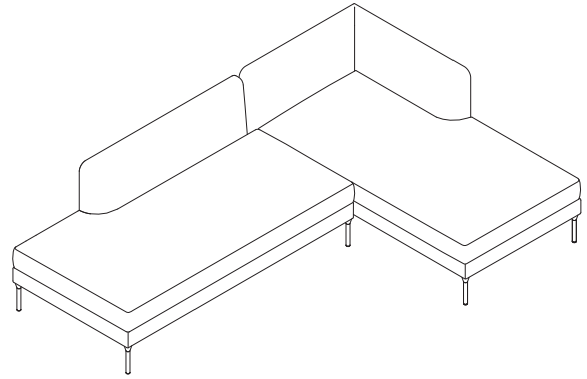
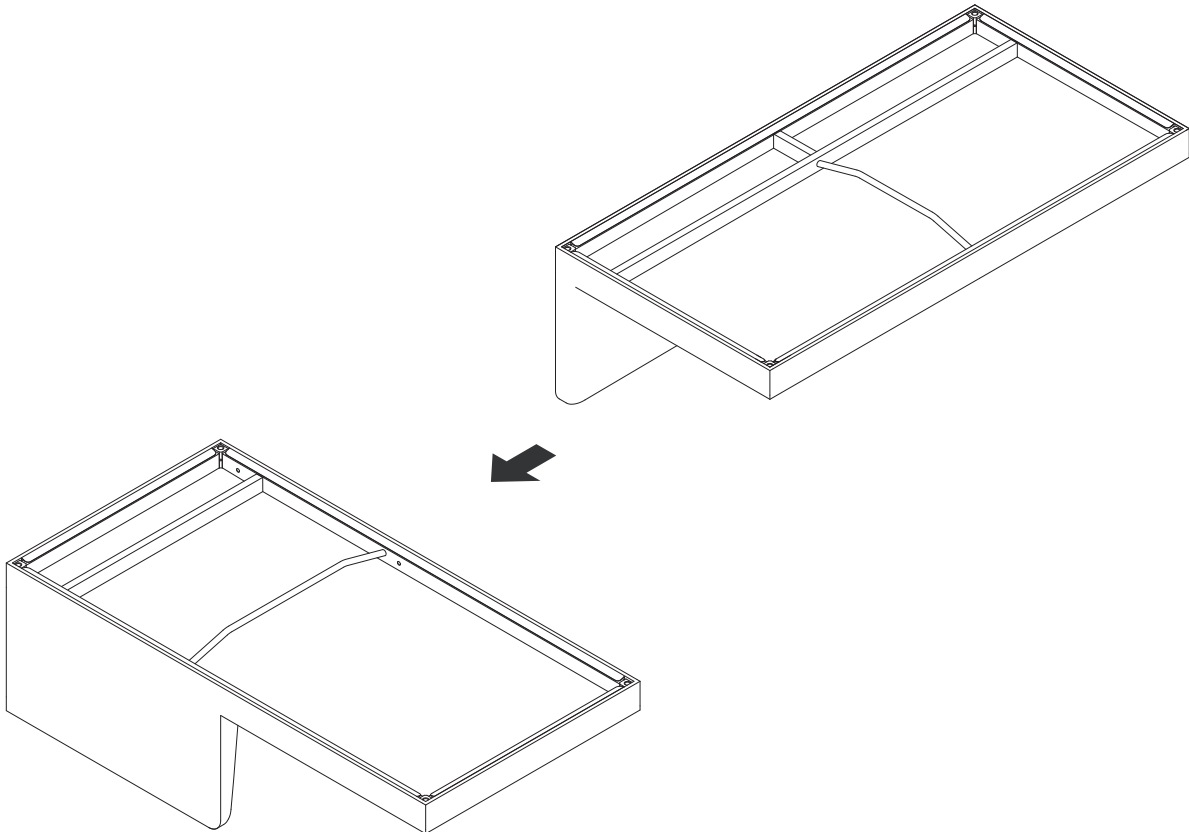


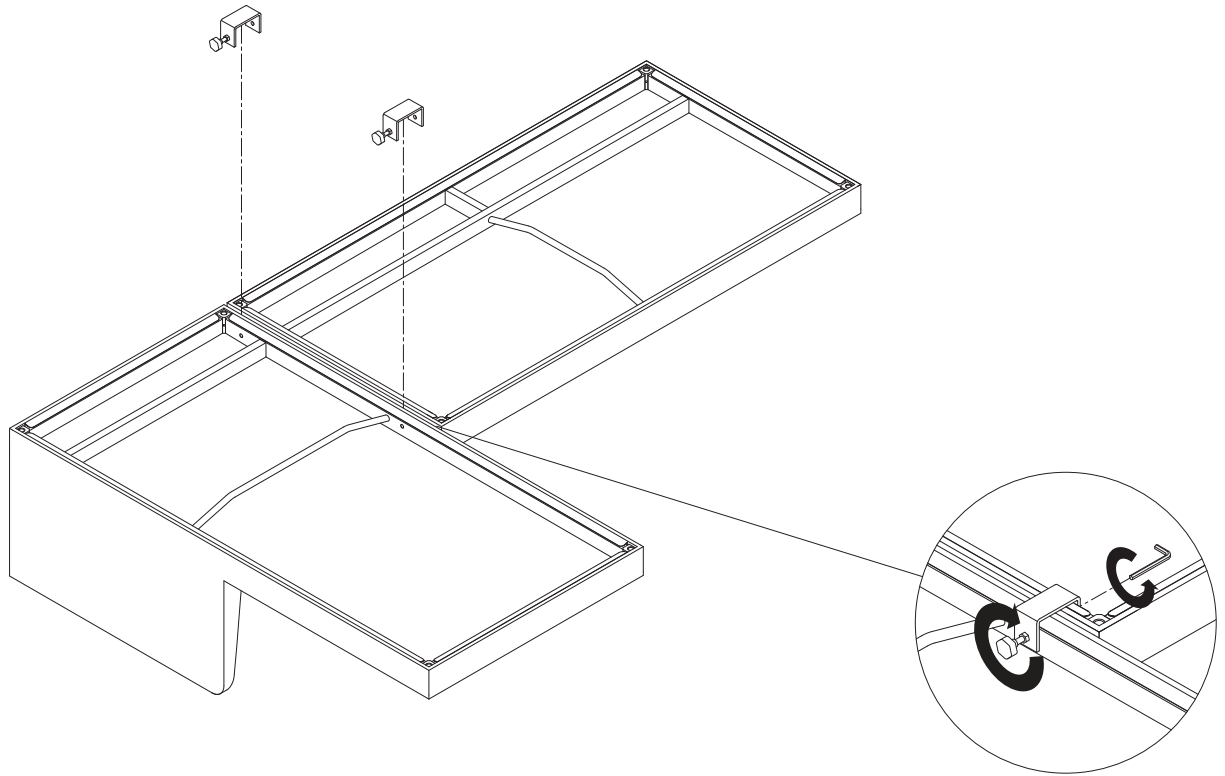
Delta Sectional



1



2



3

